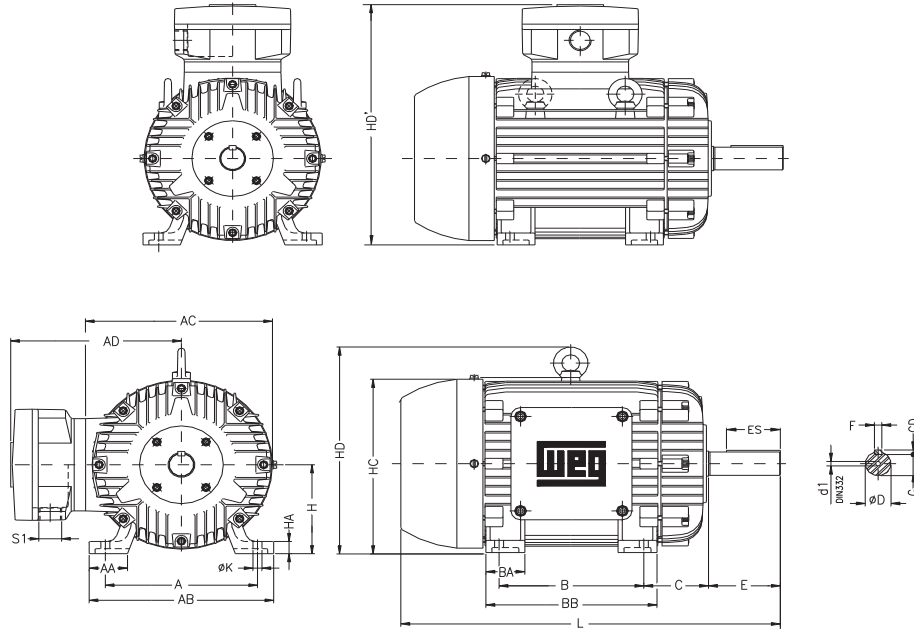


Ex d / Ex de - Explosion Proof Motors - Cast Iron Frame

Mechanical Data



FRAME	A	AA	AB	AC	AD	B	BA	BB	C	SHAFT DIMENSIONS						H	HA	HC	HD	HD'	K	L	S1	d1	BEARINGS	
										D	E	ES	F	G	GD										D.E.	O.D.E.
90S	140	38	164	179	214	100	42	131	56	24j6	50	36	8	20	7	90	12	177	-	304	10	316	M25 x 1.5	DM8	6205-ZZ	6204-ZZ
90L	140	38	164	179	214	125	42	156	56	24j6	50	36	8	20	7	90	12	177	-	304	10	341	M25 x 1.5	DM10	6206-ZZ	6205-ZZ
100L	160	44	188	199	224	100	50	173	63	28j6	60	45	8	24	7	100	15	200	-	324	12	384	M32 x 1.5	DM10	6206-ZZ	6205-ZZ
112M	190	48	220	223	243	140	50	183	70	28j6	60	45	8	24	7	112	17	237	222	355	12	394	M32 x 1.5	DM12	6307-ZZ	6206-ZZ
132S	216	51	248	270	271	140	55	188	89	38k6	80	63	10	33	8	132	19.5	282	330	403	12	451	M32 x 1.5	DM12	6308-ZZ	6207-ZZ
132M	216	51	248	270	271	178	55	226	89	38k6	80	63	10	33	8	132	19.5	282	330	403	12	489	M32 x 1.5	DM12	6308-ZZ	6207-ZZ
160M	254	64	308	312	322	210	65	254	108	42k6	110	80	12	37	8	160	22	315	370	482	14.5	598	2 x M40 x 1.5	DM16	6309-C3	6209-Z-C3
160L	254	64	308	312	322	254	65	298	108	42k6	110	80	12	37	8	160	22	315	370	482	14.5	652	M40 x 1.5	DM16	6311-C3	6211-Z-C3
180M	279	80	350	358	342	241	75	294	121	48k6	110	80	14	42.5	9	180	28	367	422	522	14.5	664	M40 x 1.5	DM16	6311-C3	6211-Z-C3
180L	279	80	350	358	342	279	75	332	121	48k6	110	80	14	42.5	9	180	28	367	422	522	14.5	702	M40 x 1.5	DM16	6311-C3	6211-Z-C3
200M	318	82	385	399	370	267	85	332	133	55m6	110	80	16	49	10	200	30	403	477	570	18.5	729	2 x M50 x 1.5	DM20	6312-C3	6212-Z-C3
200L	318	82	385	399	370	305	85	370	133	55m6	110	80	16	49	10	200	30	403	477	570	18.5	767	M50 x 1.5	DM20	6312-C3	6212-Z-C3
225S/M	356	80	436	472	413	286	105	391	149	55m6*	140	125	18	53	11	225	34	475	550	638	24	817	M50 x 1.5	DM20	6314-C3	6214-Z-C3
250S/M	406	100	506	551	413	311	138	445	168	60m6*	140	125	18	53	11	250	42	500	575	663	24	847	M50 x 1.5	DM20	6314-C3	6214-Z-C3
280S/M	457	120	557	610	413	349	142	510	190	65m6*	140	125	20	58	12	280	52	600	693	831	28	887	M63 x 1.5	DM24	6316-C3	6216-Z-C3
315S/M	508	120	628	672	413	368	152	558	216	75m6*	170	160	22	67.5	12	315	52	640	728	888	28	1036	M63 x 1.5	DM24	6319-C3	6316-C3
355M/L	610	140	750	780	672	406	200	760	254	80m6	170	160	22	71	14	355	50	755	864	1027	28	1126	M63 x 1.5	DM24	6319-C3	6316-C3
355M/L	610	140	750	780	672	457	200	760	254	80m6	170	160	22	71	14	355	50	755	864	1027	28	1156	M63 x 1.5	DM24	6319-C3	6316-C3
355M/L	610	140	750	780	672	560	200	760	254	75m6*	140	125	20	67.5	12	355	50	755	864	1027	28	1399	M63 x 1.5	DM24	6322-C3	6319-C3
355M/L	610	140	750	780	672	630	200	760	254	100m6	210	200	18	90	16	355	50	755	864	1027	28	1469	M63 x 1.5	DM24	6322-C3	6319-C3

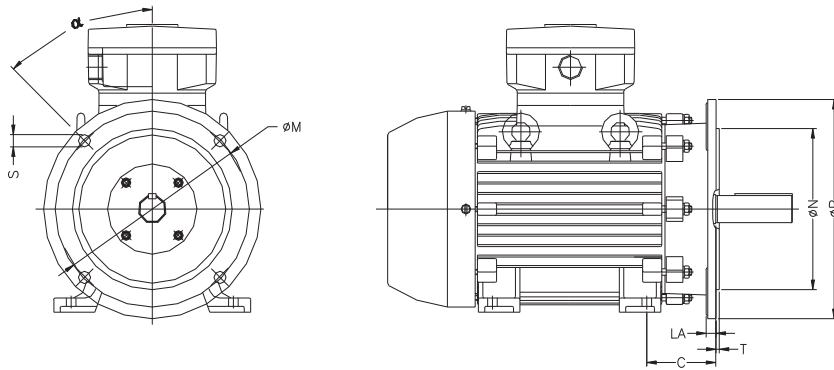
* This data apply to EEx d - Explosion Multivoltage Motors / EEx de - Explosion Multivoltage Motors with Increased Safety terminal box - Standard Efficiency - IE1, High Efficiency - IE2.

- All the dimensions are in millimeters
- The data for frame 355M/L shown above are for horizontal mounting applications under standard coupling loads
- The customer must indicate when application is vertical or under special coupling loads
- Motors with second shaft end under request
- The values shown are subject to change without prior notice
- * Shaft dimensions for II pole motors, only for direct coupling

Ex d / Ex de - Explosion Proof Motors - Cast Iron Frame

Mechanical Data

“FF” Flange



FRAME	"FF" FLANGE DIMENSIONS									n° of Holes
	Flange	C	LA	M	N	P	T	S	α	
90S/L	FF-165	56	10	165	130	200	3.5	12	45°	4
100L	FF-215	63	11	215	180	250	4	15		
112M		70								
132S/M	FF-265	89	12	265	230	300	5	19		
160M/L	FF-300	108	13	300	250	350				
180M/L		121	14							
200M/L	FF-350	133	18	350	300	400				
225S/M	FF-400	149		400	350	450				
250S/M	FF-500	168		500	450	550				
280S/M		190								
315S/M	FF-600	216	22	600	550	660	6	24	22°30'	8
355M/L	FF-740	254		740	680	800				

“C” Din Flange

FRAME	"C" DIN FLANGE DIMENSIONS							n° of Holes
	Flange	C	M	N	P	S	T	
90S/L	C-140	56	115	95	140	M8	3	4
100L	C-160	63	130	110	160		3.5	
112M		70						
132S/M	C-200	89	165	130	200	M10		

